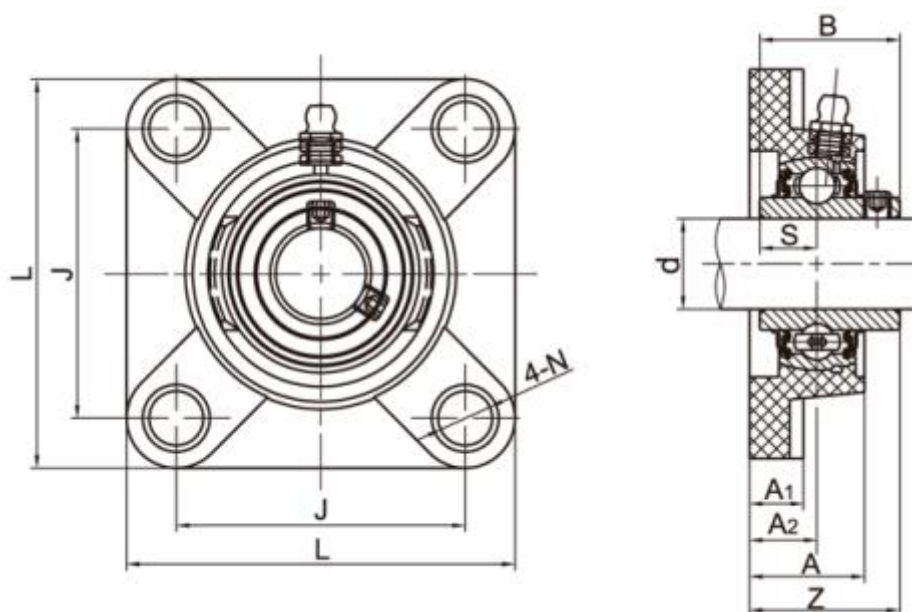


Article number: 54810632033

Description: 4 hole Flange Unit TP-SUCF203 for shaft $\varnothing 17\text{mm}$
Insert stainless steel, housing Thermoplastic green

Measures



A = 27.8	N = 11
A1 = 13.4	S = 12.7
A2 = 18	Z = 36.3
B = 31	
Bolt = M10	
d = 17	
J = 63.5	
L = 86	